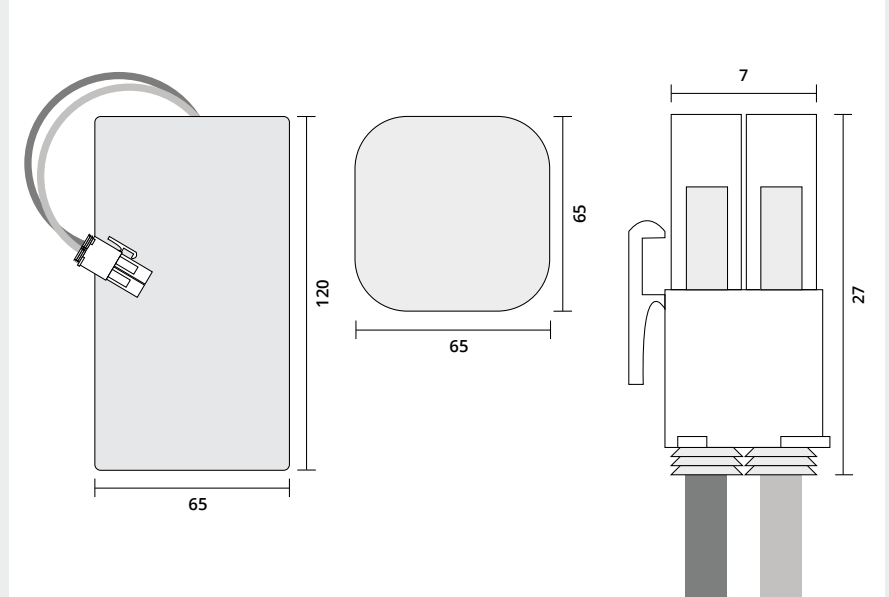


CON1429L



DIMENSIONS (MM)



## Powering a Sustainable Future

### BENEFITS

- ✓ 30+ Years of Experience
- ✓ Delivery from Stock
- ✓ Worldwide Shipment
- ✓ 12 months guarantee
- ✓ Custom Made on Request

### CONTACT US

- Taurac / WasteContainerBatteries
- Arnostraat 22
- 2182 DZ Hillegom
- Netherlands
- +31 (0) 252 - 22 70 70
- info@taurac.com
- info@wastecontainerbatteries.com
- www.wastecontainerbatteries.com

# CON1429L

## Underground Waste Container Battery for Chiplock 3.0

Improve your Chiplock 3.0 Underground Waste Container system with the addition of our Taurac CON1429L Replacement Battery. Engineered for seamless integration, it ensures a consistent power supply, enhancing the efficiency of waste management. Built with advanced technology, this battery offers long-lasting and dependable performance. Enhance your waste management setup today with the reliable Taurac CON1429L Replacement Battery for the Chiplock 3.0 system.

### DATA

Artikel no.	CON756E / WMS-V-Batt 29 Ah
Voltage	14,40 (V)
Chemistry	Lithium
Dimensions:	
Length	65 mm
Width	65 mm
Height	120 mm
Weight	950 g
Type Connector	1-172336

